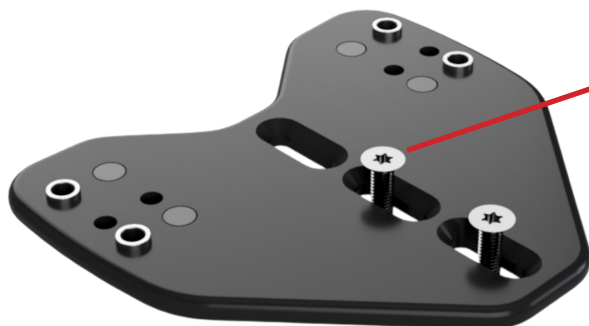
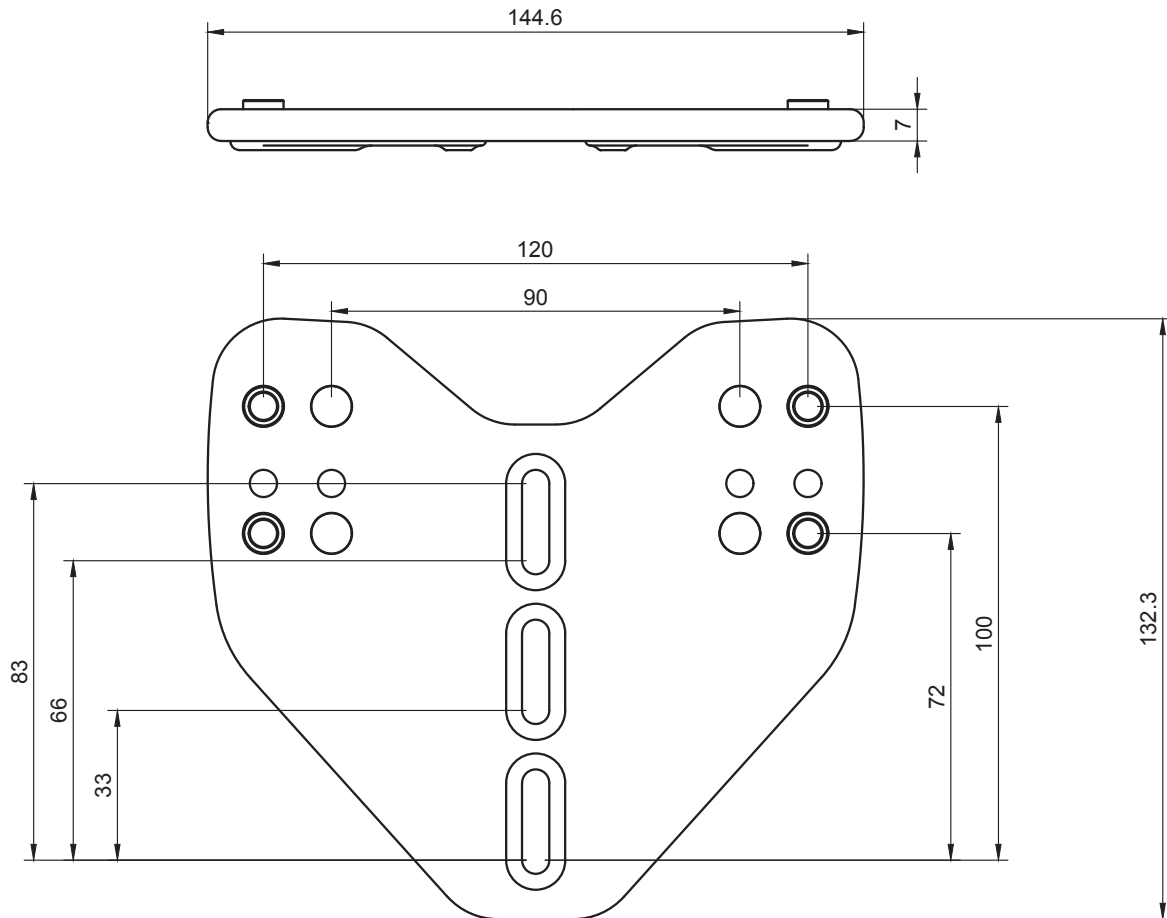


# DRAG2ZERO

## V1 Mono Conversion Kit



- Plate only - £75.83 exc VAT
- Non - UCI Compliant
- 90mm, 120mm podium width options
- Compatible with Gen2 Risers
  
- Supplied with
  - 1 x Mono Plate
  - 2 x M6 Countersunk bolts (bike specific)
  
- Optional Extras
  - 1 x Gen2 Angled Shim Set
  - 4 x Angled Shim Mounting Bolts
  - 1 x Gen2 Pole Clamp Set
  
- Bike Specific Info
  - Scott Plasma 6 - 244g (Supplied with 20mm bolts)
  - Orbea Ordu - 244g (Supplied with 25mm bolts)
  - Trek Pre 2021- 264g (Specific Solution, additional £20.83 ex VAT)
  - Canyon 2021 - 244g (Supplied with 25mm bolts)
  - Factor Slick - 244g (Supplied with 25mm bolts)



**Torque to basebar specifications**

Ensure correct thread engagement of atleast 9mm.