

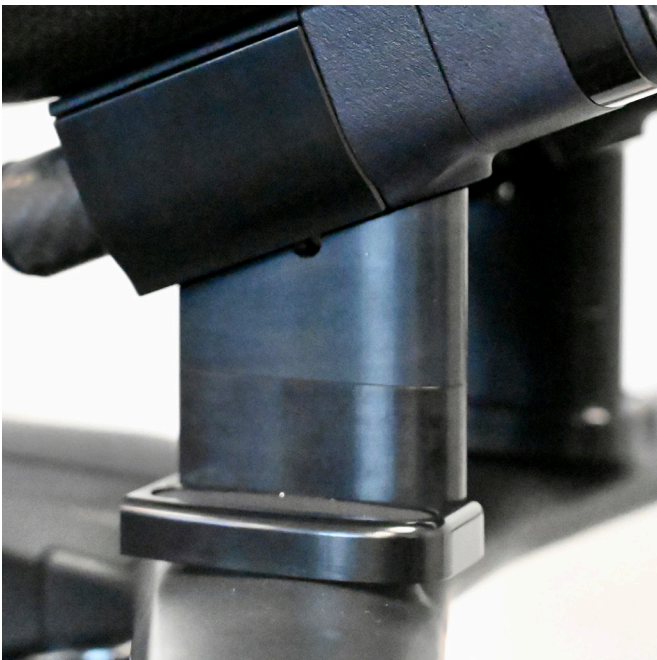
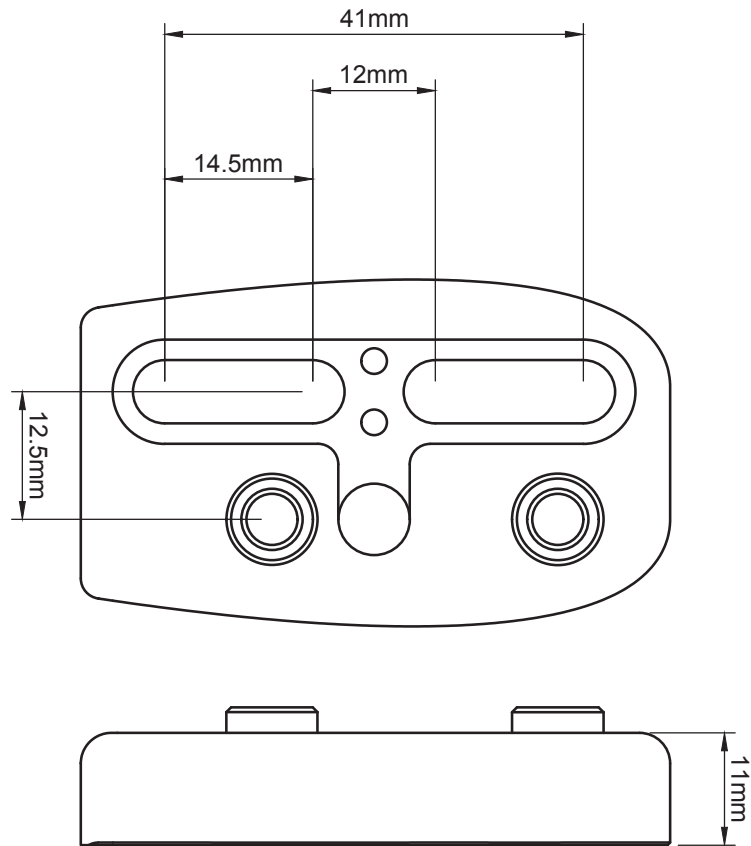
# **DRAG2ZERO**

## Gen2 Universal Baseplates



For use with Gen2 Drag2Zero angled shims and risers

- Supplied with
  - 2 x Gen2 Universal Baseplates including covers
  - 4 x M6/M6 Nuts
- 11mm Baseplate providing 12.5mm podium offset each side.
- Mount up to 100mm of Gen2 risers followed by Gen2 angled shims.
- Can be used to either widen or narrow bike podiums



# DRAG2ZERO

